

Product Declaration Certificate

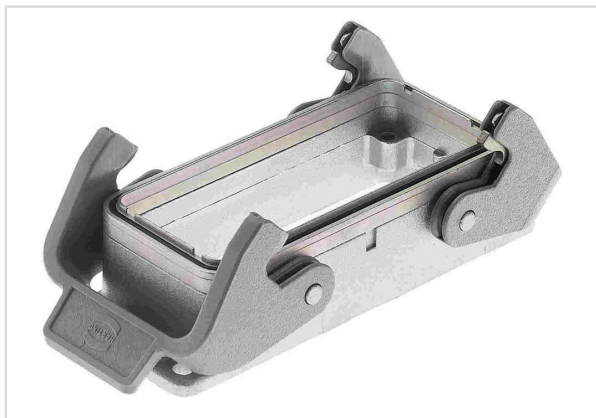


Image is for illustration purposes only. Please refer to product description.

Part number	09 62 810 0301
Specification	Han EMC/B 10 Base Panel
HARTING eCatalogue	https://b2b.harting.com/09628100301

RoHS	compliant
ELV status	compliant
China RoHS	e
REACH Annex XVII substances	Not contained
REACH ANNEX XIV substances	Not contained
REACH SVHC substances	Yes
REACH SVHC substances	Potassium 1,1,2,2,3,3,4,4,4-nonafluorobutane-1-sulphonate
California Proposition 65 substances	Not contained

RoHS: Directive 2011/65/EU with all amending directives and regulations in force at the declaration's creation date.
ELV status: Directive 2000/53/EC with all amending directives and regulations in force at the declaration's creation date.

REACH ANNEX: Regulation (EU) No. 1907/2006 with all amending directives and regulations in force at the declaration's creation date.

REACH SVHC substances: We applied "Candidate List of substances of very high concern for Authorisation" of ECHA valid on the declaration's creation date.

ECHA SCIP: Article notification number in the SCIP Data base of the European Chemicals Agency (ECHA) according to Waste Frame Directive 2008/89/EC with amended directive 2018/851 in Article 9